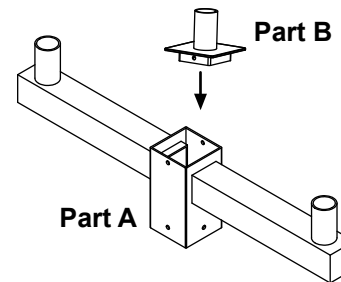
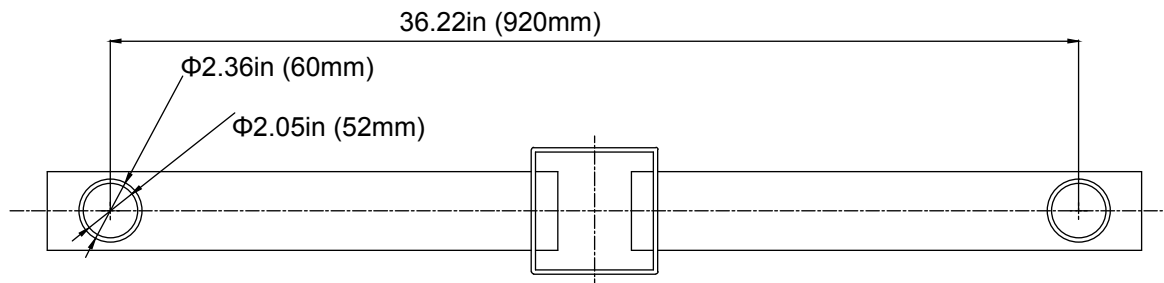
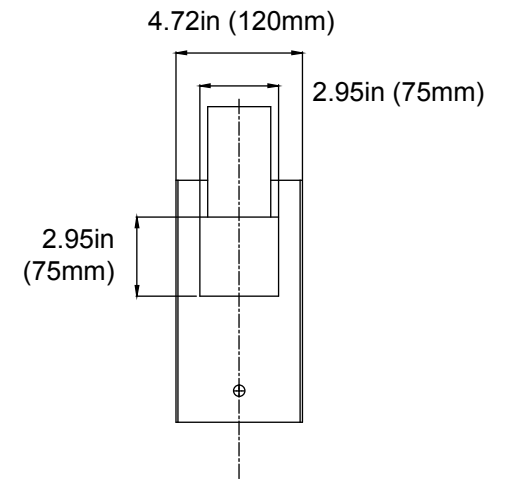
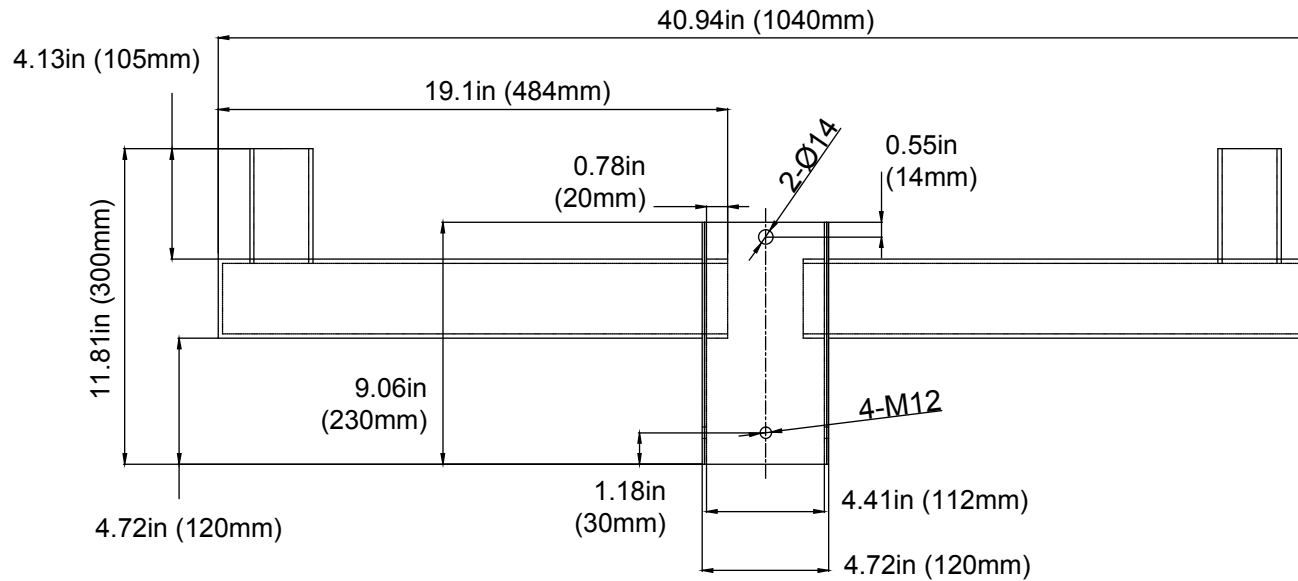
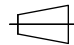



Part A



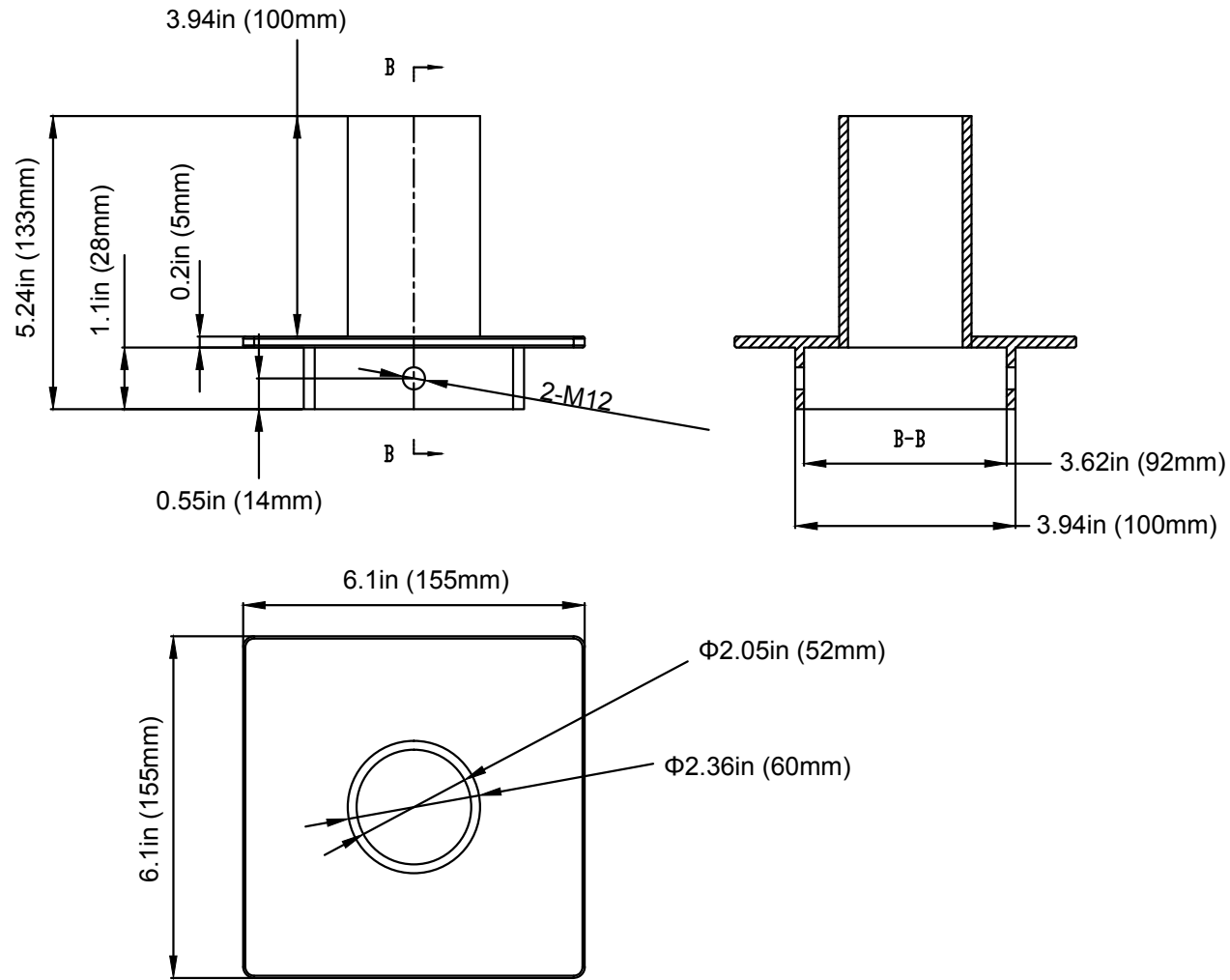
Unit: mm

	
SCALE : 1:1	
Measure Tolerance is: ±0.15 mm, ±0.01in	

Mount - 4" Square Tenon Vertical to 2-3/8"(2.5) triple heads at 180deg

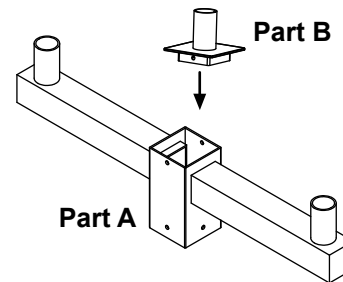
Product Dimensions

Part B

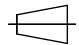



Mount - 4" Square Tenon Vertical to 2-3/8"(2.5) triple heads at 180deg

Product Dimensions



Unit: mm

	
SCALE : 1:1	
Measure Tolerance is: ± 0.15 mm, ± 0.01 in	